

# 4-Way Reversing Valve

## DRVB Series

### Application

DRVB series change the flow path of refrigerants by controlling the action of a small DSF valve to switch the mode between cooling and heating.



### Features

- X-cross design ensures big flow area and low pressure drop;
- Stability and reliability ensured by adopting a small 4-way valve as pilot valve;
- Built-in self-lubricating bush;
- Special material of seal ring ensures the valve's applicability to all common refrigerants;
- For flange connection, please contact us.

### Approvals

Declaration / Certification according to PED, CE, UL.

### Technical Data

Applicable Refrigerants:

R32 / R404A / R407C / R410A / R290 / R134a / R454B / R513A / R513B / R1234yf / R1234ze / R454C / R455A / R454A / R452B / R448 / R22

Max. Operating Pressure: 4.9 MPa

Max. Operating Pressure Differential: 3.1 MPa

Min. Operating Pressure Differential: 0.3~0.4 MPa

Medium Temperature: -30° C ~ +130° C

Ambient Temperature: -20° C ~ +55° C

Relative Humidity: ≤95% RH

Allowable Voltage Fluctuation: 85%~110%

Standard Coil: AC 110, AC 220V

## General performance Data

Model	Area of High Pressure Side	Area of Low Pressure Side	Inner Leakage Rate <sup>(1)</sup>	R22	R134a	R32	R407C	R290	R410A	R454A	R452B	R448A
	[mm <sup>2</sup> ]	[mm <sup>2</sup> ]	[≤L/min]	[kW]								
DRVB115*	2142	2300	20	196	149	275	188	199	225	200	240	198
DRVB118*	2721	2909	30	264	200	370	253	268	303	270	323	266
DRVB121*	3608	4264	45	366	278	513	351	372	420	374	448	369
DRVB125*	5200	5867	60	476	362	667	457	484	547	487	583	481
DRVB126*	5847	7272	67	527	405	749	513	544	614	546	654	540
DRVB130*	7410	10200	90	762	580	1068	730	775	875	779	932	769

**The nominal capacity is based on:**

1. Condensing Temperature  $T_c=50^{\circ}\text{C}$ ; 2. Liquid Temperature Before Expansion Valve  $T_l=48^{\circ}\text{C}$ ;
3. evaporating Temperature  $T_e=2^{\circ}\text{C}$ ; 4. Gas Superheat Degree  $\Delta T_{sh}=6\text{K}$ ; 5. Low Pressure Drop  $\Delta p =0.015\text{ MPa}$ .

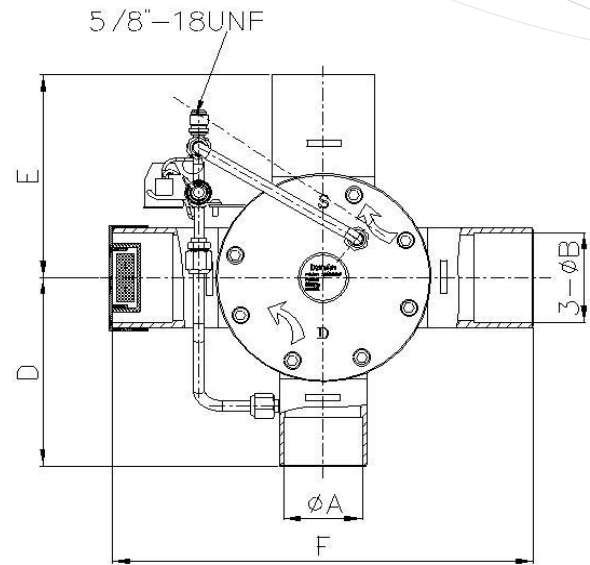
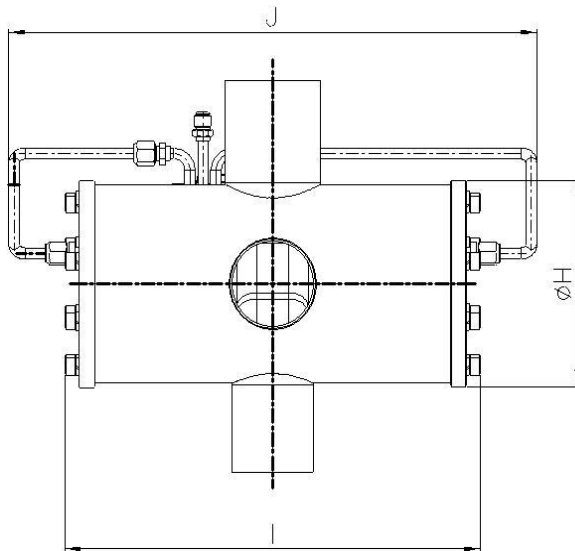
<sup>(1)</sup> Inner Leakage Rate: compressed air or nitrogen with pressure difference of 1.0 MPa.

# 4-Way Reversing Valve

**DunAn**

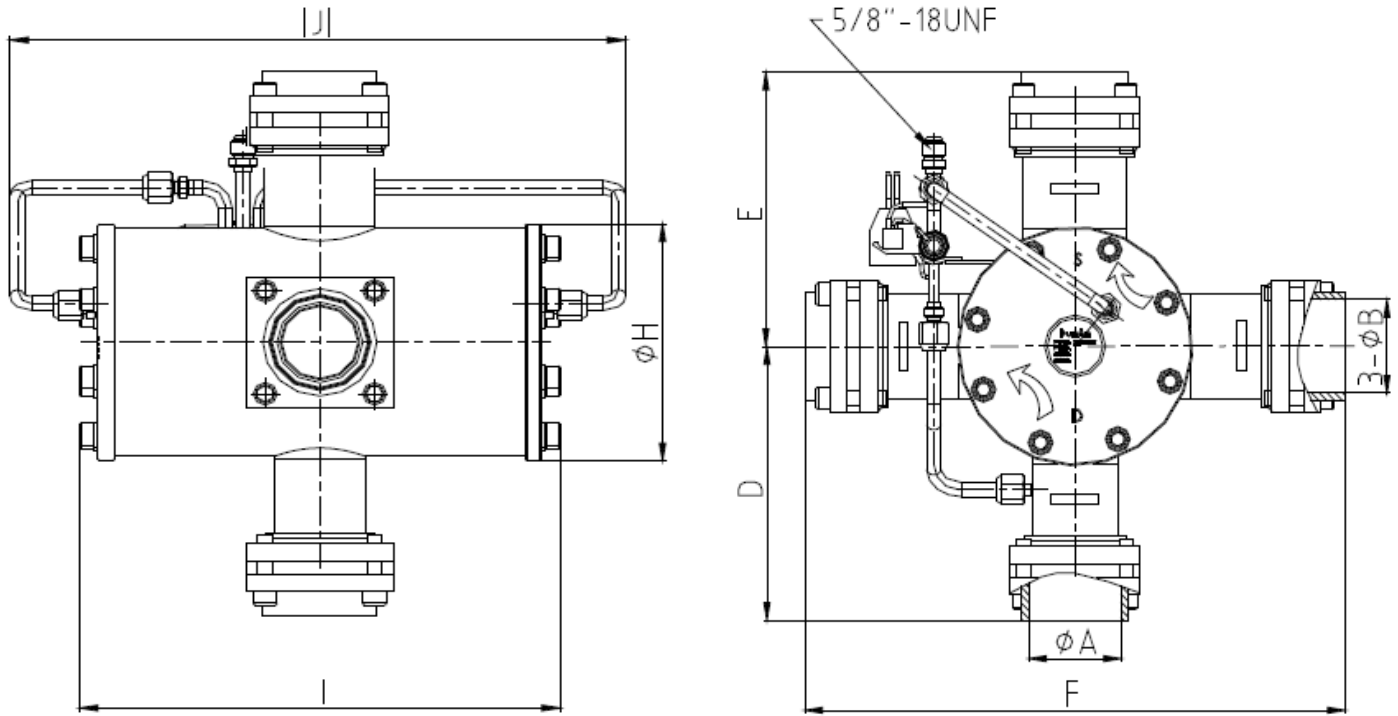
DRV B Series

## Ordering and Dimensions



Model	Code No.	Φ A [mm]	Φ B [mm]	D [mm]	E [mm]	F [mm]	Φ H [mm]	I [mm]	J [mm]	Weight [kg] (N.W.)
DRV B1155	340093000143	54	67	133	138	276	140	302	399	24
DRV B1185	340092000143	54	67	152	152	304	170	325	417	37
DRV B1215	340091000143	67	79	168	180	360	184	386	488	50
DRV B1255	340090000143	79	92	195	210	420	224	439	540	80
DRV B1265	340088000101	92	105	223	223	446	224	473	574	95
DRV B1305	340089000949	105	134	235	235	470	250	546	646	130

## Ordering and Dimensions



Model	Code No.	Φ A [mm]	Φ B [mm]	D [mm]	E [mm]	F [mm]	Φ H [mm]	I [mm]	J [mm]	Weight [kg]
DRVB1155-4	340093001548	54	67	187	201	402	140	302	399	28
DRVB1185-4	340092000948	54	67	195	195	390	170	325	417	43
DRVB1215-4	340091000948	67	79	211	228	456	184	386	488	58
DRVB1255-4	340090000148	79	92	243	264	528	224	439	540	93
DRVB1305-4	340089002550	108	133	306	306	612	250	546	646	137