

Check Valve

FDM Series

Application

FDM series check valves use magnetic diaphragm design with metal sealing structure, built-in guiding device, and self-closing structure, allowing installation angles in all directions without any limit..



Features

- Self-closing structure ensures the installation angles in all directions without any limit;
- Low internal leakage

Approvals

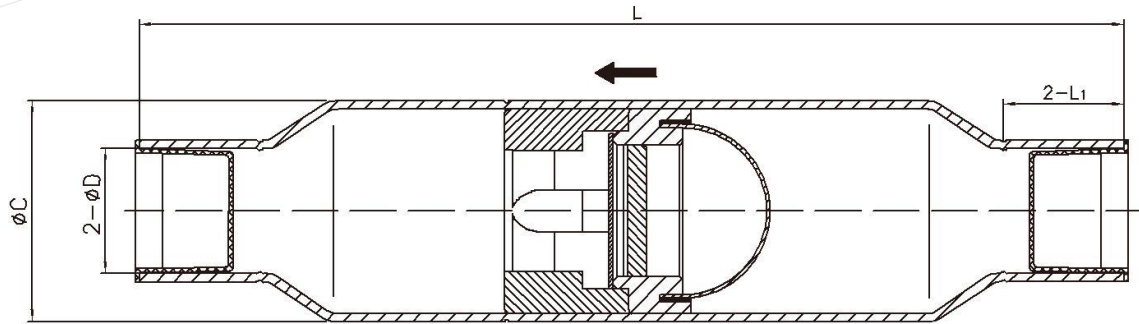
UL, Declaration according to PED

Technical Data

Applicable Refrigerants: R134a, R407C, R410A, R404A, and R290;

Medium Temperature: -30°C~+120°C

Ordering and Dimensions



Model	Code No.	Connection	Dimensions			Max. Operating Pressure [MPa]	Pressure Drop Across Valve ΔP [MPa]	K_v [m ³ /h]
		[in.]	C [mm]	L [mm]	L1 [mm]			
FDM 0702	260510000101	1/4	22.3	102	10	5	0.01	0.8
FDM 0703	260511000101	3/8	22.3	100	10	5	0.01	0.9
FDM 0904	260512000101	1/2	28,5	127	14	5	0.01	2.9
FDM 0905	260513000101	5/8	28,5	127	15.5	5	0.01	3.1
FDM 0906	260514000101	3/4	28,5	127	14	4.5	0.01	3.2
FDM 0907	260523000101	7/8	28,5	127	18	4.5	0.01	3.5
FDM 1107	260515000101	7/8	35	178	15	4.5	0.01	6.1
FDM 1406	260524000101	3/4	41	178	18	4.5	0.02	6.8
FDM1407	260533000101	7/8	41	178	21	4.5	0.02	7.2
FDM 1409	260516000101	9/8	41	206	18	4.5	0.02	7.8
FDM 1709	260517000101	9/8	54	213	25.5	4.5	0.02	17.9
FDM 2111	260518000101	11/8	67	238	26	3.5	0.02	20.4
FDM 2113	260519000101	13/8	80	267	28	3.5	0.03	20.7
FDM 2817	260520000101	17/8	92	305	34	3.5	0.05	33.0
FDM 3321	260521000101	21/8	105	330	38	3.5	0.05	61.4
FDM 3325	260522000101	25/8	105	330	38	3.5	0.05	/