

Service Valve

FJ Series

Application

Service valves are used to connect indoor and outdoor units, close or open the refrigerant circuit, and evacuate the refrigerant or charge refrigerant into split air conditioner system.



Features

- Combination of soft seal and hard seal ensures airtightness .

Approvals

Declaration according to PED

Technical Data

Applicable Medium: R134a, R407C, R410A, R32, R404A and R290

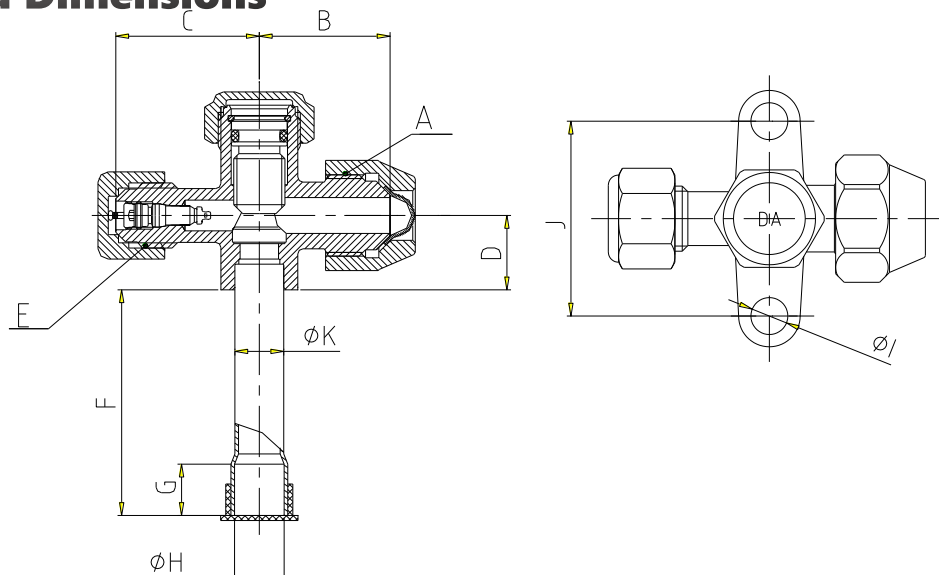
Applicable Relative Humidity: $\leq 95\%$

Medium Temperature: $-30^{\circ}\text{C}\sim+120^{\circ}\text{C}$

Ambient Temperature: $-30^{\circ}\text{C}\sim+70^{\circ}\text{C}$

Max. Operating Pressure: 4.5 MPa

Ordering and Dimensions



Model	Code No.	Port [mm]	A [mm]	B [mm]	C [mm]	D [mm]	E Flare[in.]	F [mm]	G [mm]	Applicable Refrigerant
FJ-8888-DG4	280004888800	4.8	7/16-20UNF	24	-	14	1/2-20UNF	60	8	R410A R32 R290
FJ-8888-DG8	280008888800	7	5/8-18UNF	25.5	28	14.5		60	10	
FJ-8888-DG10	280010888800	10	3/4-16UNF	30	28	16		60	10	
FJ-8888-DG13	280013888800	13	7/8-14UNF	34.5	28.5	17		60	15	
FJ-8888-DG16	280016888800	16	17/16-14UNS	38.5	30	22.5		60	15	
FJ-8887-DG4	280004888700	4.8	7/16-20UNF	24	-	14	7/16-20UNF	60	8	R407C R134a R404A
FJ-8887-DG8	280008888700	7	5/8-18UNF	25.5	28	14.5		60	10	
FJ-8887-DG10	280010888700	10	3/4-16UNF	30	28	16		60	10	
FJ-8887-DG13	280013888700	13	7/8-14UNF	34.5	28.5	17		60	15	
FJ-8887-DG16	280016888700	16	17/16-14UNS	38.5	30	22.5		60	15	

(continued)

Model	Code No.	H [mm]	I [mm]	J [mm]	K [mm]	Capacity	Applicable Refrigerant
						[kW]	
FJ-8888-DG4	280004888800	6.5	7.2	38	6.35	1.6~4.1	R410A R32 R290
FJ-8888-DG8	280008888800	9.7	7.2	38	9.52	2.1~8	
FJ-8888-DG10	280010888800	12.9	7.2	38	12.7	6.2~16.1	
FJ-8888-DG13	280013888800	16.1	7.2	38	15.88	9.8~25.4	
FJ-8888-DG16	280016888800	19.2	7.2	44	19	15.2~39.2	R407C R134a R404A
FJ-8887-DG4	280004888700	6.5	7.2	38	6.35	1.6~4.1	
FJ-8887-DG8	280008888700	9.7	7.2	38	9.52	2.1~8	
FJ-8887-DG10	280010888700	12.9	7.2	38	12.7	6.2~16.1	
FJ-8887-DG13	280013888700	16.1	7.2	38	15.88	9.8~25.4	
FJ-8887-DG16	280016888700	19.2	7.2	44	19	15.2~39.2	